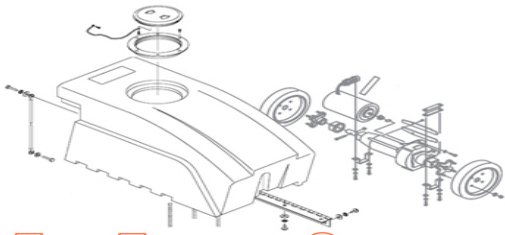


# Ambassador

Model: C46000-00  
C46100-00



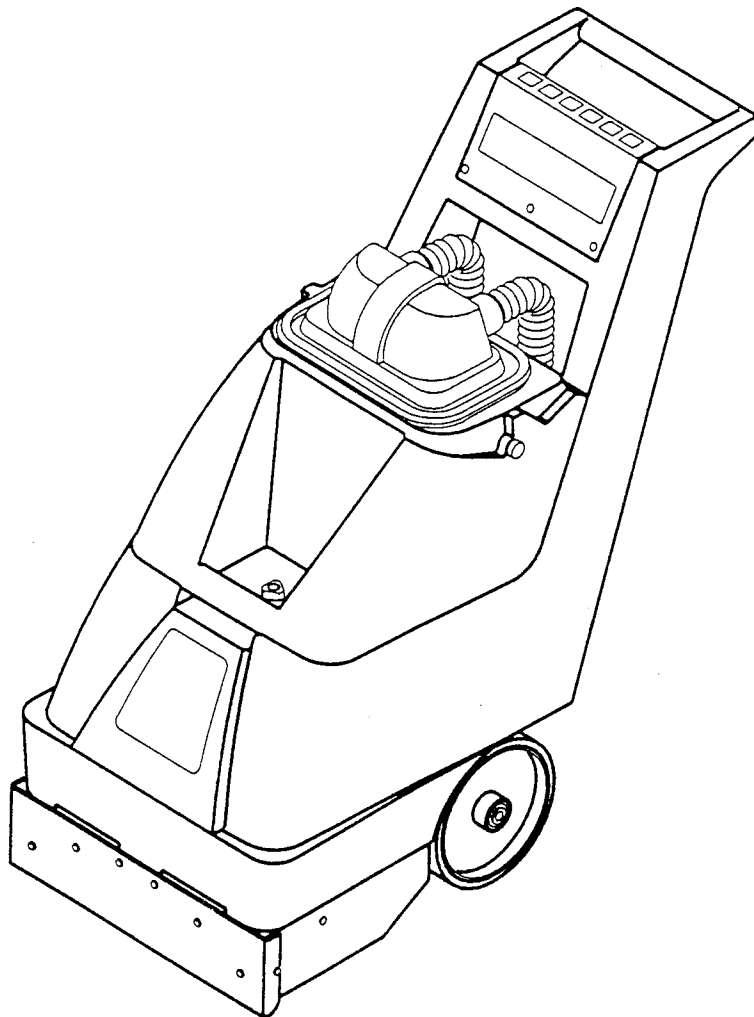
**FLOOR-EQUIPMENT-PARTS.COM**

**OPERATION**

**SERVICE**

**PARTS**

**CARE**



Revised 9/03

**Minuteman**<sup>®</sup>

# FOR COMMERCIAL USE ONLY

## IMPORTANT SAFETY INSTRUCTIONS

When using an electrical appliance, basic precautions should always be followed, including the following:

### READ ALL INSTRUCTIONS BEFORE USING

#### **WARNING** - To reduce the risk of fire, electric shock, or injury:

- Do not leave appliance when plugged in. Unplug from outlet when not in use and before servicing.

#### **WARNING**

To reduce the risk of electrical shock, do not expose to rain. Store indoors.

- Never allow children or untrained adults to operate this equipment.
- Keep the area of operation clear of all persons, particularly small children, and pets. Keep bystanders at least 25 feet away from the area of operation.
- Use only as described in this manual. Use only manufacturer's recommended attachments.
- Do not use with damaged cord or plug. If appliance is not working as it should, has been dropped, damaged, left outdoors, or dropped into water, return it to a service center.
- Do not pull or carry by cord, use cord as a handle, close a door on cord, or pull cord around sharp edges or corners. Do not run appliance over cord. Keep cord away from heated surfaces.
- Do not unplug by pulling on cord. To unplug, grasp the plug, not the cord.
- Do not handle plug or appliance with wet hands.
- Do not put any object into openings. Do not use with any opening blocked; keep free of dust, lint, hair, and anything that may reduce air flow.
- Keep hair, loose clothing, fingers, and all parts of body away from openings and moving parts.
- Do not pick up anything that is burning or smoking, such as cigarettes, matches, or hot ashes.
- Do not use without dust-bag and/or filters in place.
- Turn off all controls before unplugging.
- Use extra care when cleaning on stairs.
- Do not use to pick up flammable or combustible liquids such as gasoline or use in areas where they may be present.
- Connect to a properly grounded outlet only. See grounding instructions.
- If foam/liquid comes out of exhaust openings turn switch off immediately.
- Use only chemicals recommended by dealer/manufacturer.

### SAVE THESE INSTRUCTIONS

## INSPECTION

Carefully unpack and inspect your machine for shipping damage. Each unit is tested and thoroughly inspected before shipment, and any damage is the responsibility of the delivery carrier who should be notified immediately.

## ELECTRICAL

This machine is designed to operate on a standard 15 amp, 115 volt, 60 hz, AC circuit. Voltages below 105 volts AC or above 125 volts AC could cause serious damage to the motor.

## WARNING

Electric motors can cause explosions when operated near explosive materials or vapors. Do not operate this machine near flammable materials such as solvents, thinners, fuels, grain dust, etc.

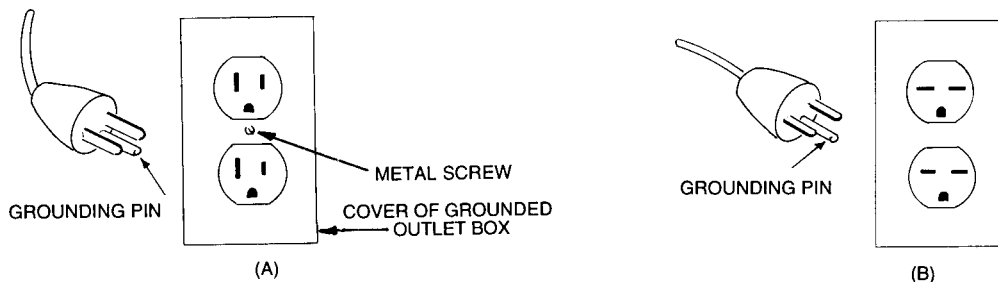
## GROUNDING INSTRUCTIONS

This appliance must be grounded. If it should malfunction or breakdown, grounding provides a path of least resistance for electric current to reduce the risk of electric shock. This appliance is equipped with a cord having an equipment-grounding conductor and grounding plug. The plug must be plugged into an appropriate outlet that is properly installed and grounded in accordance with all local codes and ordinances.

## DANGER

Improper connection of the equipment-grounding conductor can result in a risk of electric shock. Check with a qualified electrician or service person if you are in doubt as to whether the outlet is properly grounded. Do not modify the plug provided with the appliance — if it will not fit the outlet, have a proper outlet installed by a qualified electrician.

This appliance is for use on a nominal 120-volt circuit and has a grounding plug that looks like the plug illustrated in sketch A below. Make sure that the appliance is connected to an outlet having the same configuration as the plug. No adapter should be used with this appliance.



# **USER MAINTENANCE INSTRUCTIONS**

All service and repair should be performed by qualified vacuum service representative or electrician. No user serviceable components are employed in the electrical vacuum lid head assembly. No lubrication of the motor is required. Before cleaning or maintaining the machine unplug the electrical supply plug.

## **DAILY MAINTENANCE**

1. Solution tank should be emptied after each use. Flush pumping system with 2 or 3 gallons of clean hot water.
2. Check and clean vacuum inlet and solution inlet strainer daily.
3. Removable recovery tank, page 7, item 41, should be rinsed clean daily.
4. Spray jets should be checked for correct spray pattern and cleaned if plugged, page 8, item 49. Spray jets are quick release 1/4 turn type. By twisting item 49 1/4 turn counter clockwise, jets can be removed for cleaning. Do not clean out spray tips with pins or wire, this may cause damage to the jet spray pattern and cause streaking.
5. Protect equipment from freezing. Severe pumping system damage can occur if allowed to freeze.
6. Inspect vacuum hoses for tight connections. Check electrical cable for abrasion or cuts in jacket. Cord should be replaced if worn or damaged.
7. Clean float assembly and check for signs of damage.

## **MONTHLY/BI-MONTHLY MAINTENANCE**

The Ambassador Solution Pump System should be purged twice monthly to remove alkaline residue build-up. The system should be flushed twice, once with the jets installed and once with jets removed. To flush system out, use 1 quart of white vinegar to two gallons of clean hot water, followed by a clear 2 gallon rinse. Clean spray jets if required.

## **CORD STORAGE**

While not in use storage can be accomplished by winding cord around rear of machine. Cord hooks are provided.

- Regularly inspect cord for signs of damage. If cord is damaged replace immediately.
- Do not use with damaged cord or plug. If appliance is not working as it should, has been dropped, damaged, left outdoors, or dropped into water, return to service center.
- Do not pull or carry by cord, use cord as handle, close a door on cord, or pull cord around sharp edges or corners. Do not run appliance over cord. Keep cord away from heated surfaces.
- Do not unplug by pulling cord. To unplug, grasp the plug, not the cord.
- Do not handle plug or appliance with wet hands.

This equipment should be stored indoors and not exposed to rain.

# OPERATING INSTRUCTIONS

## FILLING THE AMBASSADOR

Remove clear solution cover lid from front of machine, page 7, item 57. Fill solution tank with desired amount of warm water and add liquid cleaning chemical, Minuteman Extraction Shampoo order #902163. (See instructions on container for proper dilutions.) DO NOT USE powdered cleaning chemicals. Powders are unlikely to dissolve thoroughly, resulting in clogging the inline solution strainer. This can reduce or stop solution flow to the pump and spray jets.

Carpet should be thoroughly vacuumed and obstacles relocated before beginning the cleaning cycle. Heavy traffic lane areas should be pre-treated or spotted with Minuteman Pre-Treat order #902183 for best results.

## TO BEGIN CLEANING:

1. Always work away from the cord.
2. Machine operates by pulling backwards over carpet.
3. Vacuum Lid Assembly, page 7, should be properly seated on Recovery Tank, item 42, for proper vacuum recover. See figure 3 for hose hookup.
4. See page 5, Control Panel Switch Identifications:  
Normal Cleaning Mode
  1. Turn on main power switch.
  2. Turn on vacuum switch (1).
  3. Turn on brush switch (2).
  4. Turn on pump switch to continuous.
  5. Adjust brush pressure (figure 2) at rear of machine, until brush pressure gauge reads in green zone.
  6. Solution pump should be turned off to the center switch position, page 5, 6" before the end of each cleaning pass.

During the cleaning cycle, care should be taken not to allow foam to build up in the recovery tank. If this should happen, the machine should be turned off. Defoamer order #910543 should be added to the recovery tank only, never into the solution tank. Foam should not be allowed to enter vacuum filter screen.

The recovery waste water level can be viewed from the operator's position of the machine through the visible recovery dome. When waste water is within 2" of the top of the recovery tank, the tank should be emptied. (NOTE : Never tilt machine completely back with recovery tank in place. Always remove tank and set to the side before tilting complete machine.)

Recovery tank can be emptied by lifting visible recovery dome and lifting out tank by front handle. A handle gripping area is provided in the front bottom of the recovery tank to tilt and pour the waste water out.

## AUXILIARY TOOL HOOK UP

1. Remove grey hose fitting from clear recovery dome and install auxiliary hose assembly cuff to grey fitting by passing through rear of machine. Hook up solution hose to auxiliary out coupler at rear of machine.
2. Turn vacuum switch to on.
3. Turn pump auxiliary switch to on, page 5, item 7. All other switches should be off.
4. See Fig. 4 for details on connecting ET motorized tool.

## OPERATOR VIEW OF CONTROL PANELS

1. Main power switch.
2. Vacuum switch
3. Brush switch
4. Pump spray switch, Continuous operation position. Pump supplies solution to spray bar for cleaning in large open areas.
5. Center position is "off".
6. Momentary position is for intermittent spray for cleaning in smaller more confined areas. When released, switch will return to center off position.
7. Pump auxiliary when using separated floor tool or upholstery tool, switch must be switched to on position. See figure 2 for solution hose hook up - aux. out.
8. Brush pressure adjustment gauge.

See figure 2 for brush adjustment knob location. Adjustments past the green zone on gauge will shorten brush and brush drive motor life.

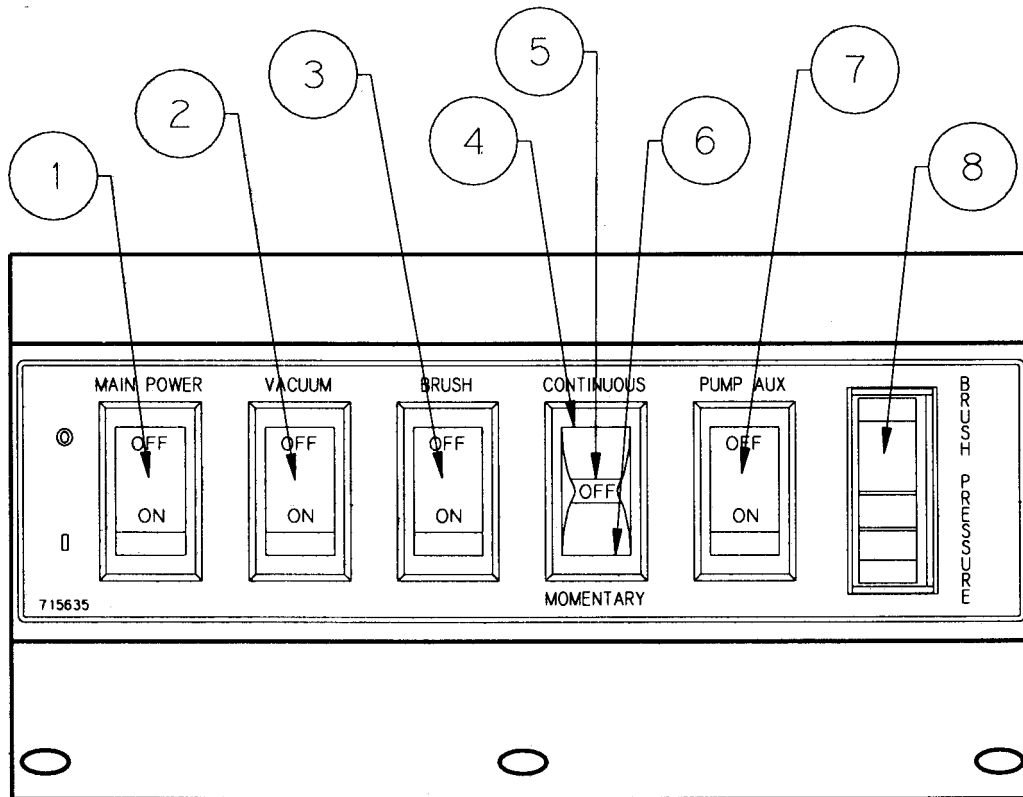


FIG. 1

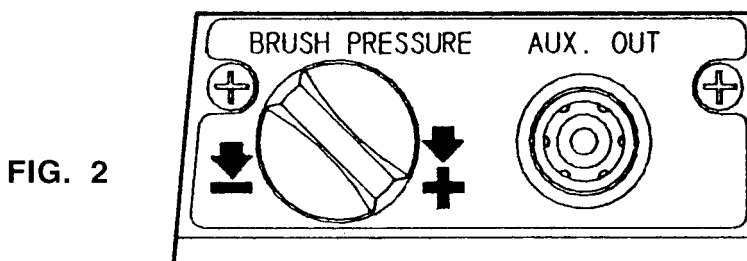
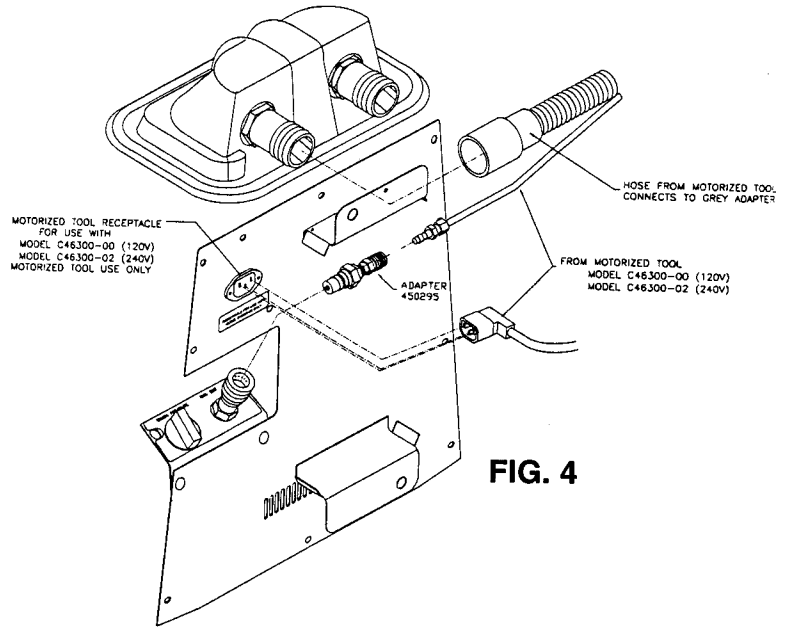
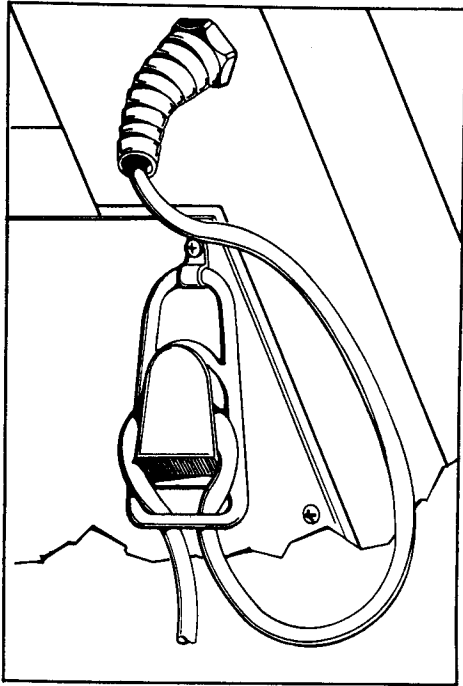


FIG. 2

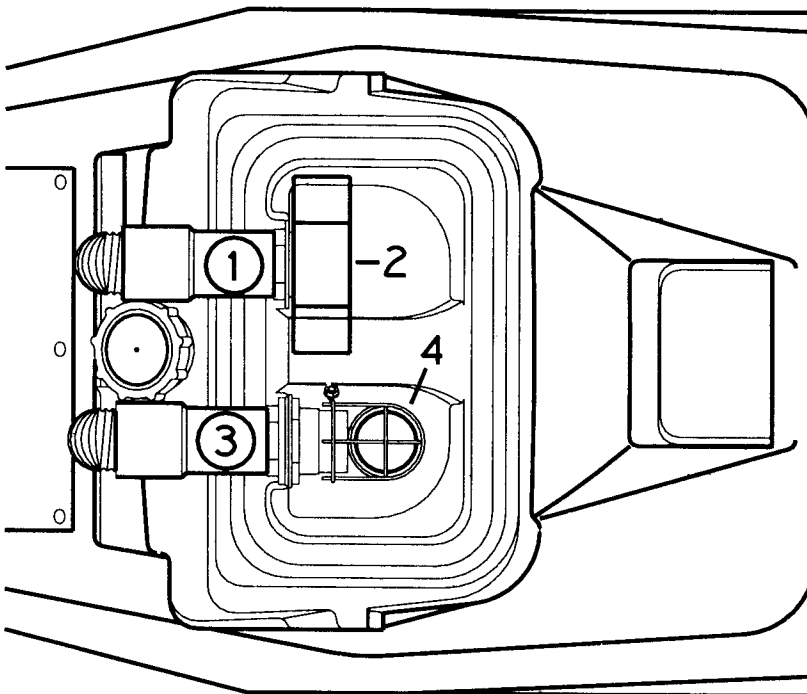
# INSTRUCTIONS FOR CONNECTING E.T. MOTORIZED HAND TOOL TO AMBASSADOR EXTRACTOR

## CORD STRAIN RELIEF



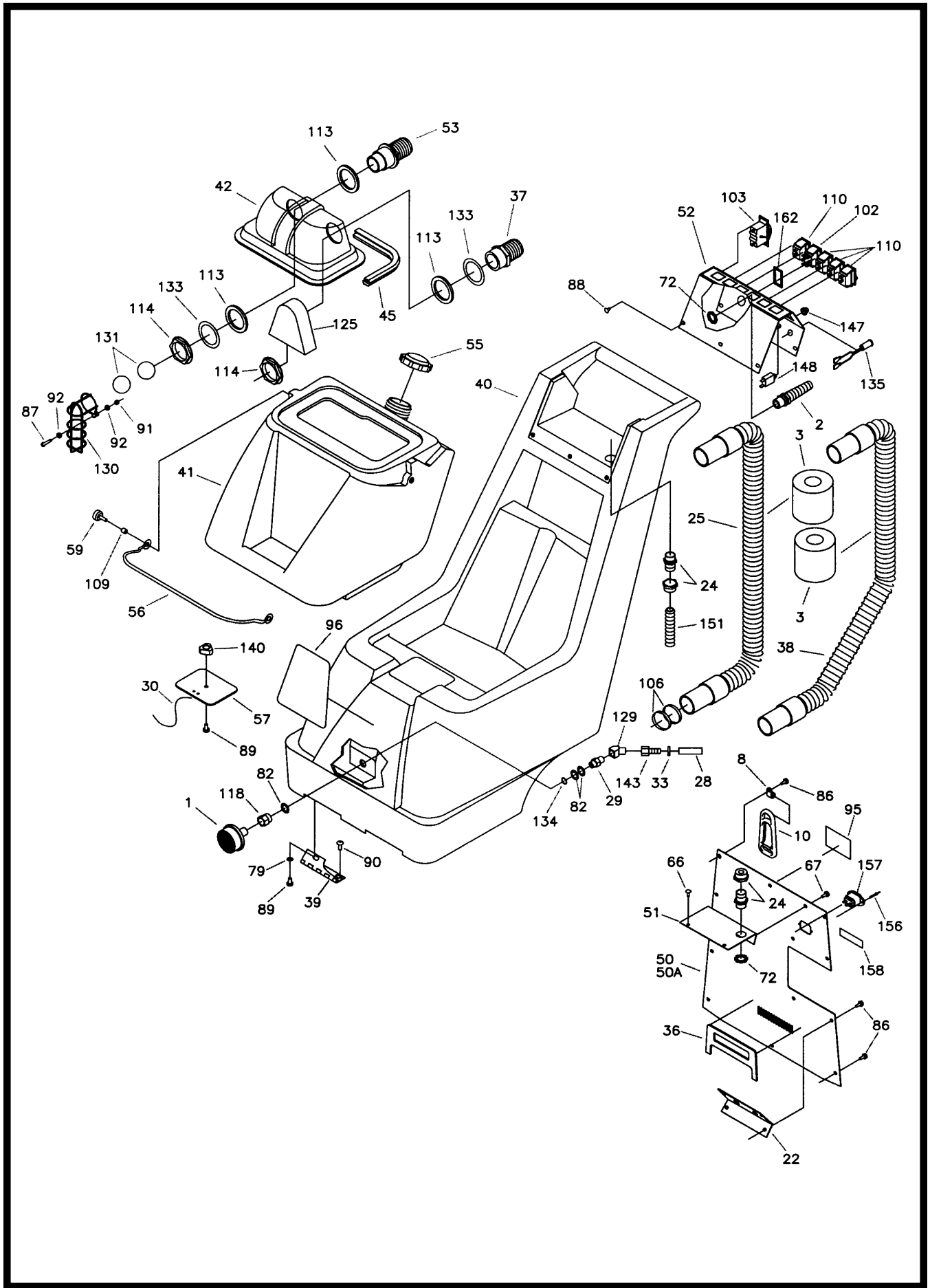
**FIG. 4**

## OPERATOR VIEW VISIBLE RECOVERY SYSTEM

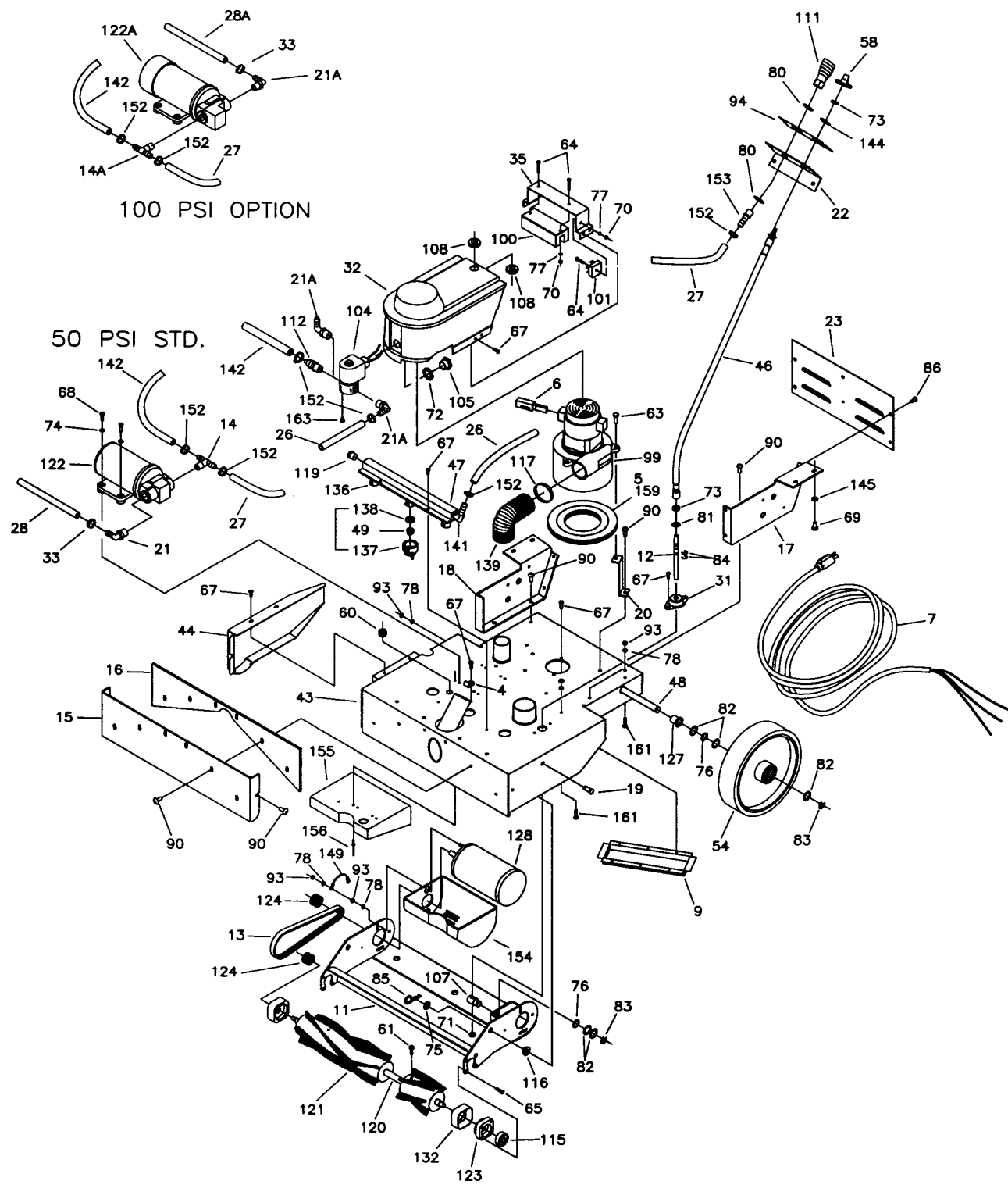


**FIG. 3**

1. Waste Water Recovery Hose  
(Grey hose cuff to grey fitting)
2. Recovery Waste Water Diffuser
3. Vac Hose White Cuff  
(White hose cuff to white fitting)
4. Vac Shut Off Float

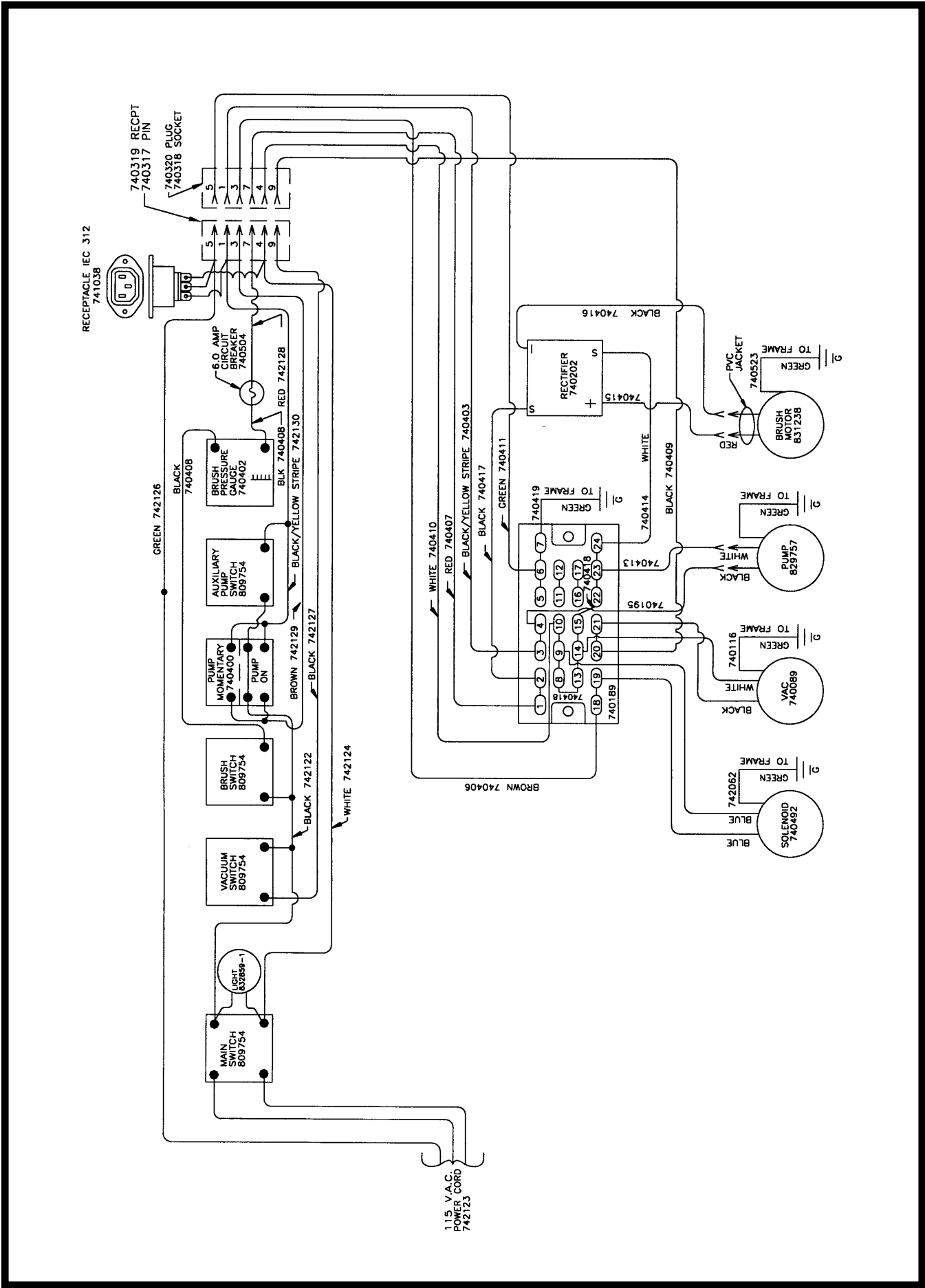






# PARTS LIST

ITEM	PART NO.	QTY.	DESCRIPTION	ITEM	PART NO.	QTY.	DESCRIPTION
1	130118	1	Solution Strainer Tapped	81	711523	1	WSR-Wave .37 x .68 x .08
2	150004	1	Strain Relief	82	711594	11	WSR-Flat .56 x .88 x .03 NI
3	169125	2	Filter	83	711713	4	Retaining Ring - E Ext. .50
4	250038	1	Retainer, Bag Clip	84	711717	2	Retaining Ring - E Ext. .37
5	250026	2	Gasket, 3.06 x 4.31 x .19	85	711808	2	Cotter Pin - Hair No. 13
6	380028	2	Carbon Brush Replacement	86	712101	17	SCR-MC HH WSR 10-24 x .50
7	381020	1	Md. Grey Cord Set 16-3 50'	87	712533	1	SCR-MC 10-24 x 1.25 SS
8	381052	1	Clamp Plastic 3/8 ID	88	712540	6	SCR-MC 10-24 x .37 SS TH
9	450004	1	Air Manifold	89	712560	5	SCR-MCH 1/4-20 x .50 SS NYL
10	450012	1	Cord Strain Relief	90	712559	19	SCR-TR 1/4-20 x .62 SEMS
11	450013	1	Brush Bracket Weldment	91	712638	1	Nut- Hex 10-24 SS Nyloc
12	450019	1	Adj. Rod Brush	92	712764	2	WSR-Flat No. 10 SS
13	450022	1	Belt	93	711310	6	Nut-Hex 10-32 ST
14	450025	1	3/8 Male Branch Tee	94	715133	1	Decal Brush Adjustment
14A	450071	1	3/8 Barb x 1/4 MPT Branch T	95	715061	1	General Warning Decal
15	450028	1	Front Squeegee Plate	96	715634	1	Decal Minuteman ID
16	450029	1	Front Plate Neo Gasket	97			
17	450030	1	Wheel Well Plate - RH	98			
18	450031	1	Wheel Well Plate - LH	99	740089	1	Vac Motor 3-Stage 120V
19	450034	2	Clevis Pin	100	740189	1	Terminal Block
20	450038-H	3	Z Bracket	101	740202	1	Rectifier Bridge
21	450040	1	Elbow PLT 3/8 MPT x 3/8 Barb	102	740400	1	Momentary Switch 15 amp
21A	833325	2	Elbow 1/4 MPT x 3/8 B (100 PSI)	103	740402	1	Gauge Pressure 0-3
22	450042	1	Quick Disconnect Bracket	104	740492	1	Water Valve 115V
23	450046	1	Lower Rear Panel	105	760232	1	Conduit Bushing 1/2"
24	828990	2	Heyco Bushing Liquid Tight	106	760245	2	Hose Clamp 62P24
25	450053	1	Vac Hose Assy. White SC-17	107	762257PLT	1	Nut, Adjusting RH
26	450055	1	Hose Nylo 3/8 ID x 9"	108	762299	2	Grommet
27	450056	1	Hose Nylobraid C/L 21	109	762384	2	Bushing SS .277 x .375 x .37
28	452033	1	Hose 3/8 ID x 16.5	110	809754	4	Switch Rocker
28A	452034	1	Hose 3/8 ID x 19	111	828370	1	BH2-60 Female Coupler
29	450059	1	Brass Bulkhead Fitting	112	828952	1	3/8 Barb x 1/4 MPT 100 PSI
30	450062	1	Cord Nylon	113	828970	3	WSR Neop 1.87 x 2.4 x .125
31	450068	1	Flange Bearing 2 Bolt	114	828971	2	Nut 1 1/2 Pipe Thread
32	7545-22	1	Cooling Cover Assy	115	829044	2	Bearing
33	829129	2	Hose Clamp	116	840202	2	Fig. Bushing Flange Nylon
34				117	829067	1	Crimp Clamp 560R
35	450078	1	Mtg. Bkt. Terminal Block	118	829114	1	Adapter BR 3/8 FPT x 1/4 FPT
36	450080	1	Gasket, Diecut Air Seal	119	829619	1	Hex Head Pipe Plug 1/4
37	450082	1	Adapter	120	829620	1	Brush Shaft
38	450090	1	Recovery Hose	121	829622	1	Brush
39	450112	2	Hinge	122	829757	1	50 PSI 115V Flojet Pump
40	452001MCH	1	Solution Tank	122A	833067	1	100 PSI 115V Flojet Pump
41	452002	1	Recovery Tank	123	829758	2	Bearing Block
42	452003	1	Dome, Clear Plastic	124	829823	2	Pulley HTD Flanged 30T
43	452005	1	Main Frame Weldment	125	830448	1	Deflector
44	452007	1	Belt Guard	126	831001	1	Crimp Clamp 440R
45	452008	1	Gasket, Dome	127	831212	2	Flange Bearing
46	452010	1	Flexible Cable Assembly	128	831238	1	Motor 1/6 HP
47	452011	1	Spraybar	129	833906	1	Street Elbow 45° 1/4 Brass
48	452013	1	Axle	130	831338	1	Float Frame
49	452015	3	Sprayjet Tip 11003	131	831344	2	Float Ball
50	452018	1	Rear Panel Weldment (50PSI)	132	831610	2	Brush Shield
50A	452018CE	1	Rear Panel Weldment (100PSI)	133	450081	2	WSR-SS 1.908 x 2.41 x .03
51	452019	1	Cover	134	832326	1	O Ring
52	452020SP	1	Dashboard, Screen Printed	135	832859-1	1	Indicator Light Assembly 115V
53	452022	1	Adapter Assembly	136	833140	3	Body Inlet Connector
54	452023	2	Wheel 8"	137	833141	3	Unijet Cap
55	452026	1	Cap	138	833142	3	Gasket, Cap
56	452027PTD	1	Handle Bail Rec. Tank	139	833191	1	Hose Rubber Flex 2x9
57	452028	1	Solution Tank Cover	140	833214	1	Knob 3-Sided 1/4-20
58	452029	1	Knob	141	833325	1	Elbow PLS 1/4 MPT x 3/8 Barb
59	500033	2	Locking Screw	142	833447	1	Nylo Hose 3/8 x 14.125
60	700287	1	Grommet	143	833473	1	Hose Barb 1/4 FPT x 3/8 Barb
61	710130	2	SCR-MC 8-32 x .62 ST NI	144	711508	1	WSR-Flat .44 x 1.00 x .08
62	710178	7	SCR-MC 1/4-20 x .50 ST PL	145	711544	2	WSR-Helical 1/4
63	712129	3	SCR-TR 1/4-20 x 1.00 HWH	146	17260-72-0	1	Decal Circuit Breaker
64	710207	3	SCR-MC 6-32 x .87 ST PL	147	740503	1	Switch Boot N1.480-16ETA
65	710528	8	SCR-MC 8-32 x .37 BR	148	740504	1	CB ETA 41-06-P10 6AMP
66	711104	6	SCR-ST-A 10 x .50	149	740523	1	Ground Strap 2.375
67	711124	11	SCR-ST-B 10 x .37 NI	150			
68	711126	4	SCR-ST-B 10 x .75	151	828991	1	Plastic Conduit
69	711202	2	BLT-HH 1/4-20 x .50 ST PL	152	452037	6	Crimp Clamp 170R
70	711301	3	Nut-Hex 6-32 ST PL	153	342435	1	Fitting Brass 1/4 MPT 3/8 Hose
71	711383	1	Nut-Hex Ctr. Loc 5/16-18	154	452035	1	Motor Base Cover
72	711400	3	Nut-Pipe Lock 1/2	155	452036	1	Lower Motor Cover
73	711420	3	Nut-Hex Jam 5/16-18 ST PL	156	410-4419AA	5	Pop Rivet
74	711503	4	WSR-Flat No. 10	157	741038	1	Receptacle (50PSI)
75	711506	2	WSR-Flat 5/16 ST PL	158	715340	1	Decal (115V)
76	711524	3	WSR-Wave .52 x .87 x .01	159	380035	2	Gasket, 4.31 x 5.81 x .19
77	711551	3	WSR-Internal Lock No. 6	160	710355	1	SCR-MC10-32 x .50 STPL
78	711553	11	WSR-Internal Lock No. 10	161	710357	3	SCR-MC 10-32 x .75 STPL
79	711554	4	WSR-Internal Lock 1/4	162	450091	1	Switch Gasket
80	712760	6	WSR-Flat .56 x 1.06 x .04 SS	163	710352	1	SCR-MC 10-32 x .25 STPL



# LIMITED WARRANTY

Minuteman International, Inc. warrants to the original purchaser/user that this product is free from defects in workmanship and materials under normal use and service for a period of three years from date of purchase. In addition, Minuteman International, Inc. will, at its option, honor labor warranty claims for the first 12 months from date of sale, provided such claims are submitted through and approved by factory authorized repair stations. Minuteman International, Inc. will, at its option, repair or replace without charge, except for transportation costs, parts that fail under normal use and service when operated and maintained in accordance with the applicable operation and instruction manuals.

This warranty does not apply to normal wear, or to items whose life is dependent on their use and care, such as belts, cords, switches, hoses, rubber parts, electrical motor components or adjustments. Parts not manufactured by Minuteman International, Inc. such as engines, batteries, battery chargers, hydraulic pumps, and tires are covered by and subject to the warranties and/or guarantees of their manufacturers. Please contact Minuteman International, Inc. for procedures in warranty claims against these manufacturers.

**Special warning to purchaser** — Use of replacement filters and/or prefilters not manufactured by Minuteman International, Inc. or its designated licensees, will void all warranties expressed or implied.

A potential health hazard exists without exact original equipment replacement.

All warranted items become the sole property of Minuteman International, Inc. or its original manufacturer, whichever the case may be.

Minuteman International, Inc. disclaims any implied warranty, including the warranty of merchantability and the warranty of fitness for a particular purpose. Minuteman International, Inc. assumes no responsibility for any special, incidental or consequential damages.

This limited warranty is applicable only in the U.S.A. and Canada, and is extended only to the original user/purchaser of this product. Customers outside the U.S.A. and Canada should contact their local distributor for export warranty policies. Minuteman International, Inc. is not responsible for costs or repairs performed by persons other than those specifically authorized by Minuteman International, Inc. This warranty does not apply to damage from transportation, alterations by unauthorized persons, misuse or abuse of the equipment, use of non-compatible chemicals, or damage to property, or loss of income due to malfunctions of the product.

If a difficulty develops with this machine, you should contact the dealer from whom it was purchased.

This warranty gives you specific legal rights, and you may have other rights which vary from state to state. Some states do not allow the exclusion or limitation of special, incidental or consequential damages, or limitations on how long an implied warranty lasts, so the above exclusions and limitations may not apply to you.

## ***Minuteman***<sup>®</sup>

**World Headquarters**  
Minuteman International, Inc.  
111 South Rohlwing Road  
Addison, Illinois 60101

Minuteman Canada, Inc.  
2210 Drew Road  
Mississauga, Ontario  
L5S 1B1

(630) 627-6900  
FAX (630) 627-1130

(905) 673-3222  
FAX (905) 673-5161

985809  
Printed in U.S.A.